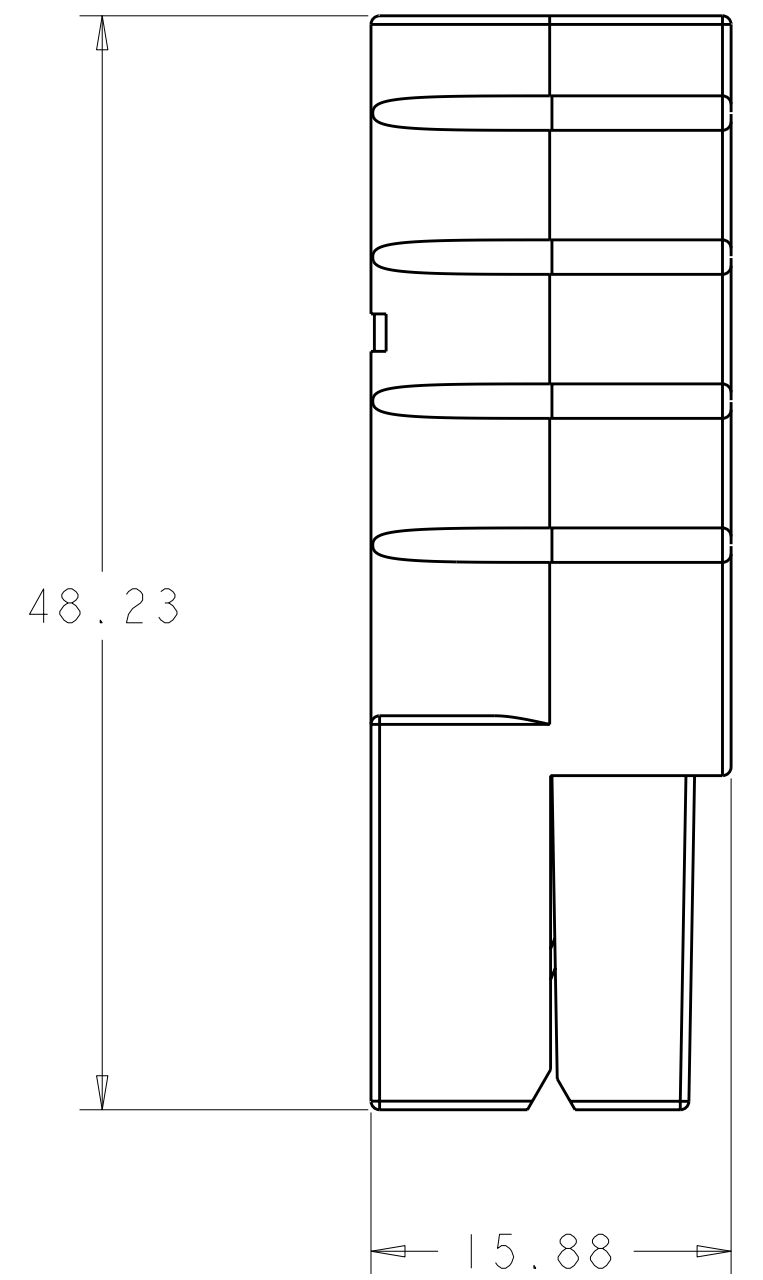
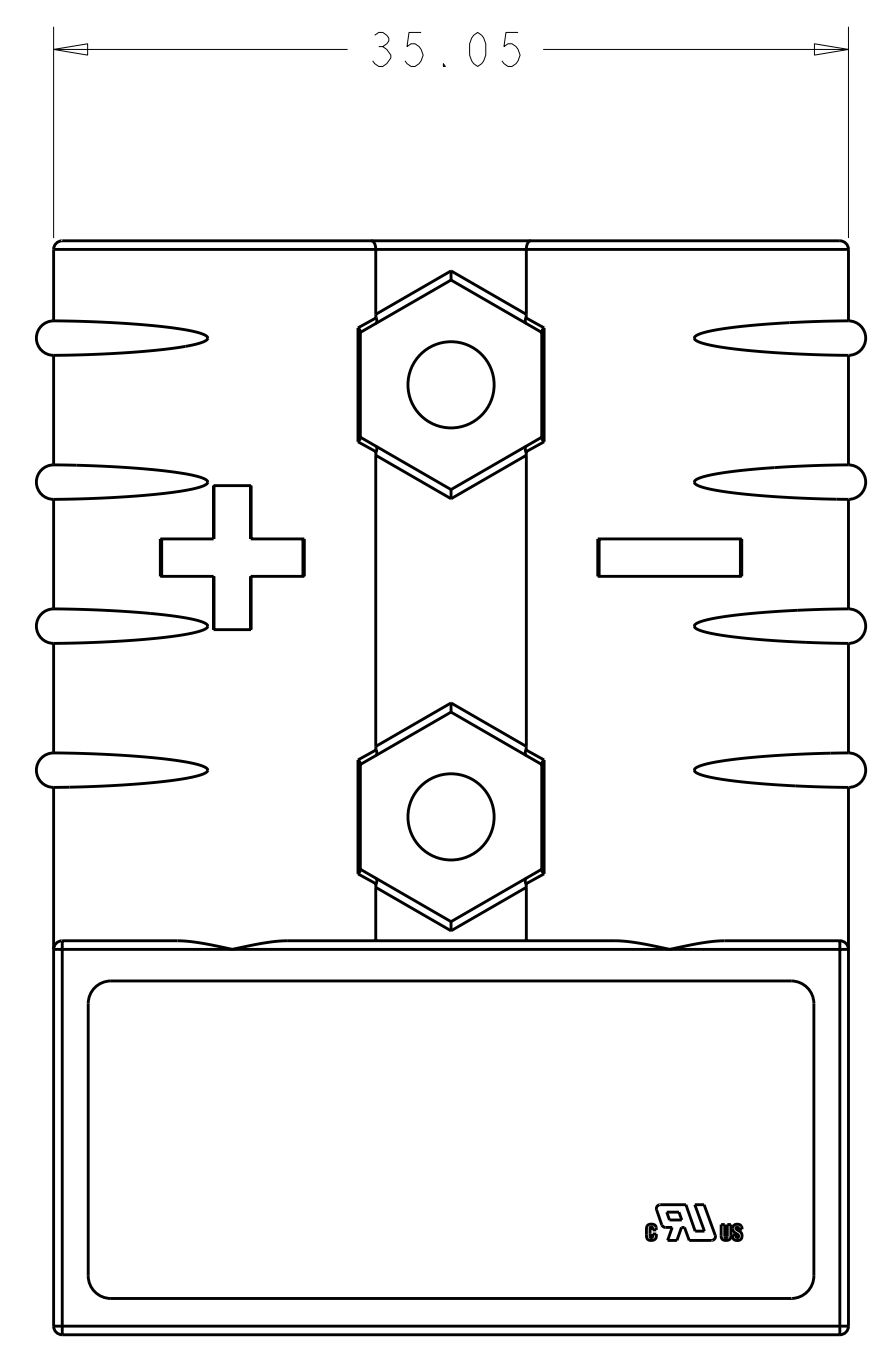
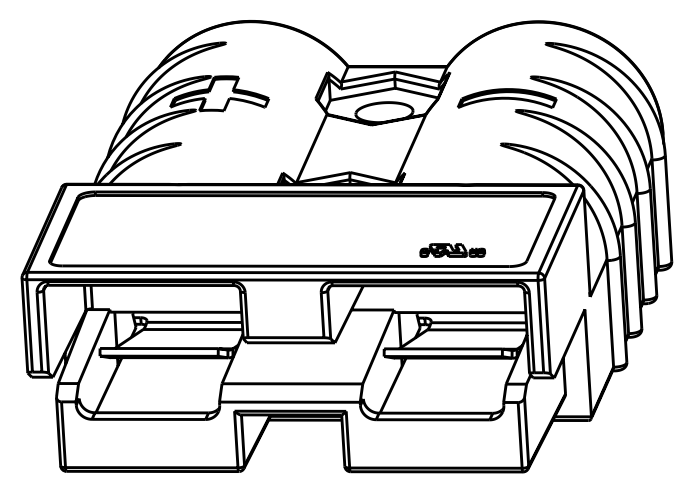


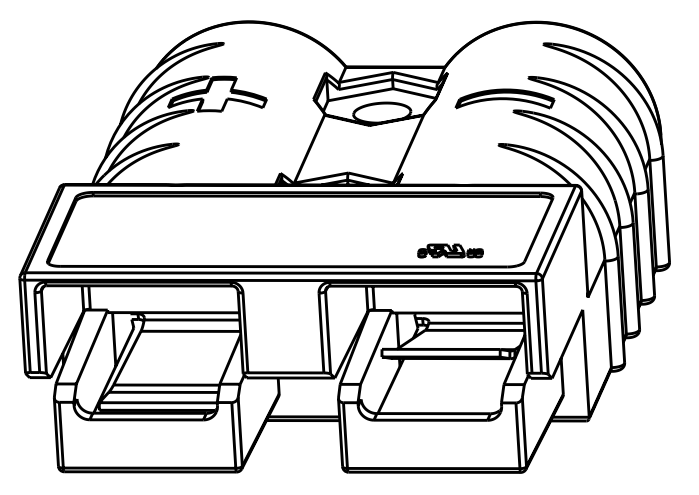
LOC	DIST	REVISIONS			
		REV	DATE	BY	APPD
CM	00	A3	11MAR2011	RK	HMR



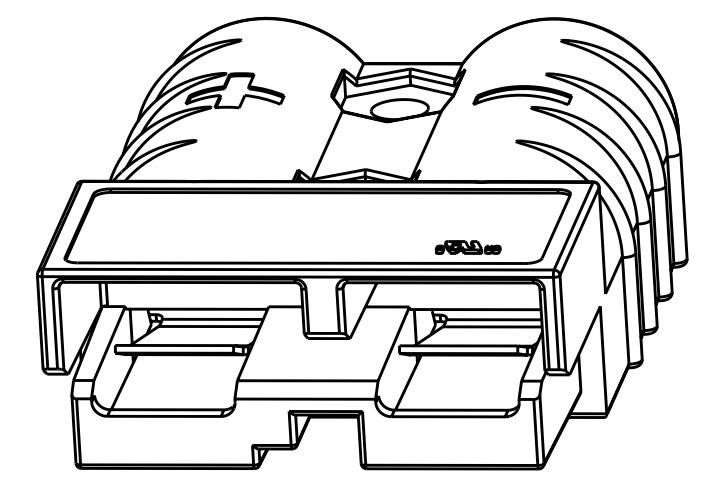
1. THIS PRODUCT HAS PASSED VERIFICATION AND AGENCY APPROVALS TESTING AND IS COMPONENT RECOGNIZED PER UL 1977 AND CSA 22.2. TE CONNECTIVITY PRODUCT QUALIFICATION TESTING IS NOT YET COMPLETED.



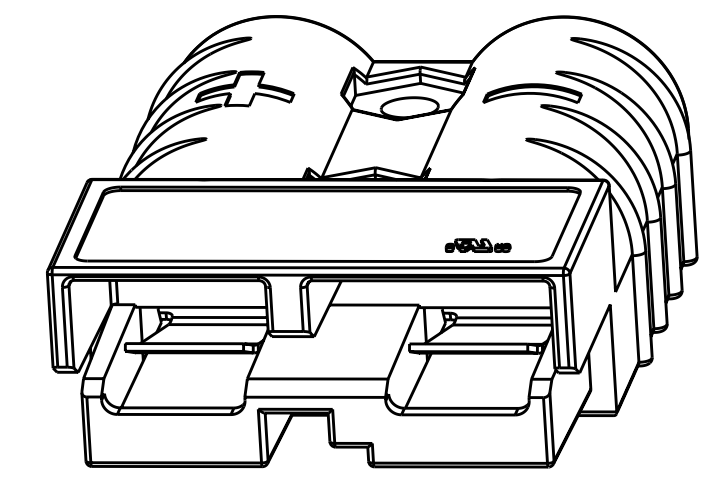
647845-3
SCALE 2:1



647845-4 AND 647845-7
SCALE 2:1



647845-5
SCALE 2:1



647845-8
SCALE 2:1

YELLOW	647845-8
BLACK	647845-7
BLUE	647845-5
GRAY	647845-4
RED	647845-3
COLOR	PART NUMBER



THIS DRAWING IS A CONTROLLED DOCUMENT.		DWN SHANE WUEST 18JUN2001	TE Connectivity
DIMENSIONS: mm		CHK K. KETELSLEGER 18JUN2001	
TOLERANCES UNLESS OTHERWISE SPECIFIED:		APVD K. KETELSLEGER 18JUN2001	NAME
0 PLC ±	1 PLC ±0.13	PRODUCT SPEC	CONNECTOR ASSEMBLY, AMP POWER SERIES 50
2 PLC ±0.13	3 PLC ±	APPLICATION SPEC	
4 PLC ±	ANGLES ±	WEIGHT	SIZE CAGE CODE DRAWING NO RESTRICTED TO
MATERIAL	FINISH	CUSTOMER DRAWING	A100779C-647845
		SCALE 2:1	SHEET 1 OF 1 REV A3